



Safety Instructions

0, 1, 2, 3, 4, 5, 10, 12,
13, 15, 16, 17, 19, 21,

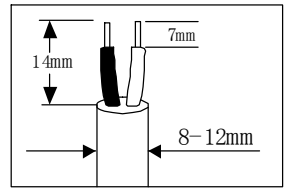
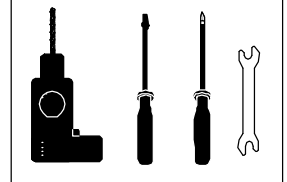


INFO-LINE

Paulmann Licht GmbH
Quezinger Feld 2
D-31832 Springe
www.paulmann.com

+49 (0) 5041 998 389
Mon.-Th. ☎ 7⁰⁰-20⁰⁰
Fr. ☎ 7⁰⁰-17⁰⁰

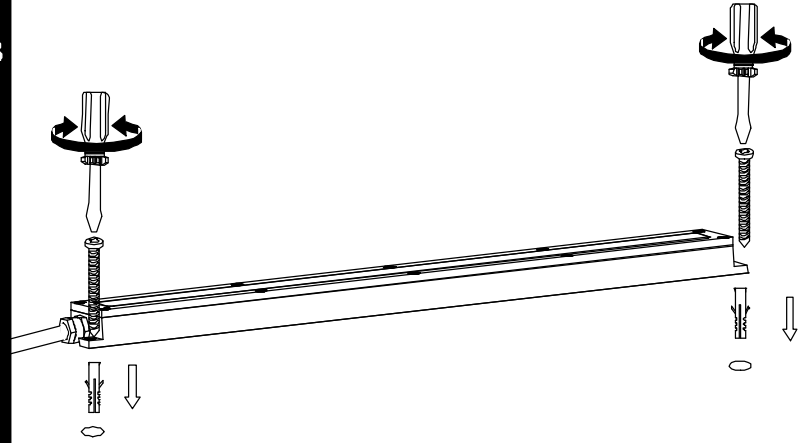
- | | | | |
|--|----|--|----|
| | 4X | | 4X |
| | 2X | | 1X |
| | 2X | | 2X |
| | 2X | | 1X |
| | 2X | | |



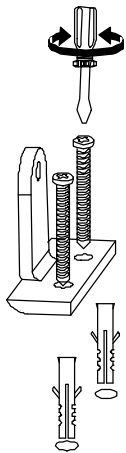
A



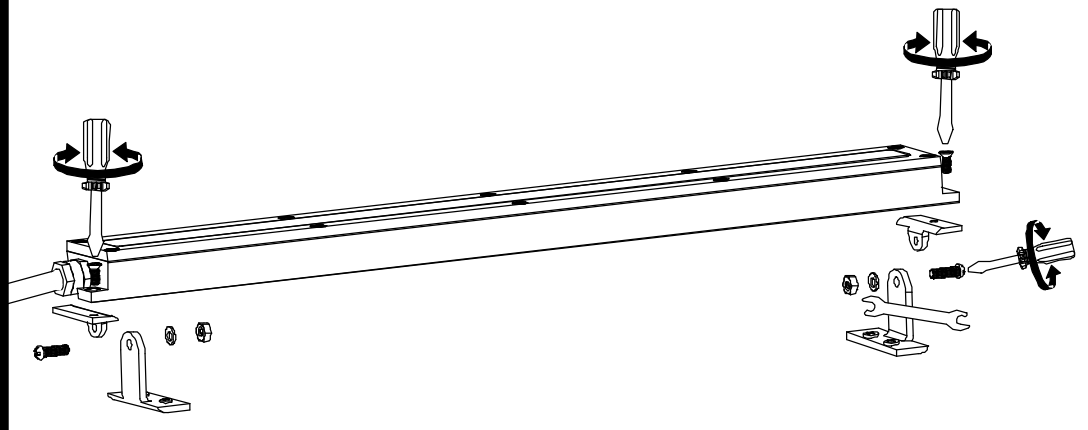
B 1



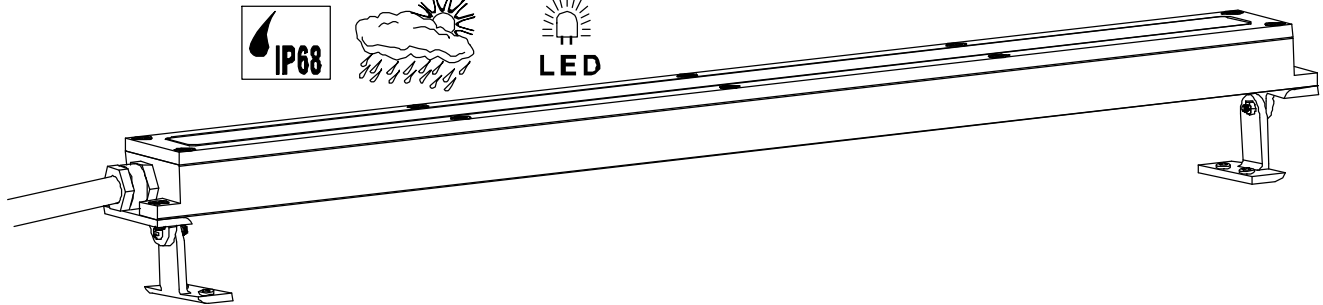
B 2



C 2



D 2



E

