

SAFETY INSTRUCTIONS



SAFETY INSTRUCTIONS



0,6,11,13,15,22

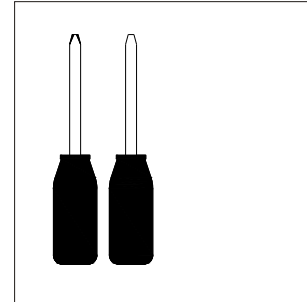
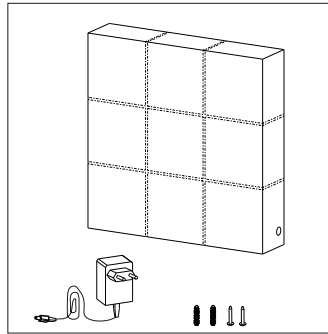


PAULMANN LICHT GmbH
Quezinger Feld 2 • D-31832 Springe
www.paulmann.com

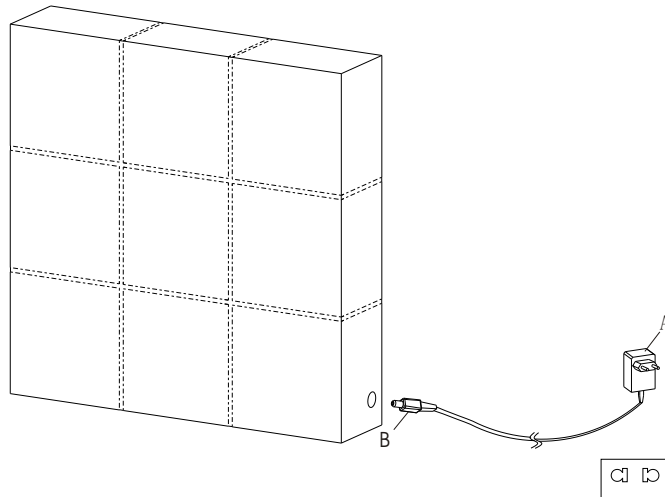
+49 (0) 5041 998 389

7⁰⁰ - 20⁰⁰

Mon. - Fri.



A



B

